

**3.5mm WTB (KHD) Series Connector:**



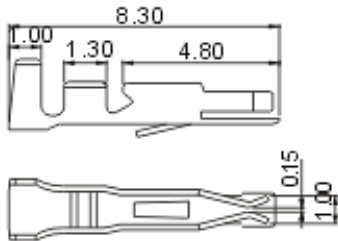
**SPECIFICATIONS**

Pitch: 3.5 mm  
 Useable Wire Range: AWG 28# ~ 22#  
 Current Rating: 1.5A, AC, DC  
 Voltage Rating: 1400V, AC, DC  
 Operating Temperature: -25°C ~ +85°C  
 Relative Humidity: 93%, +40 °C  
 Dielectric Withstanding: 3800V AC/minute  
 Contact Resistance: ≤ 20 mΩ/Contact  
 Insulator Resistance: ≥ 1000 MΩ at 100V

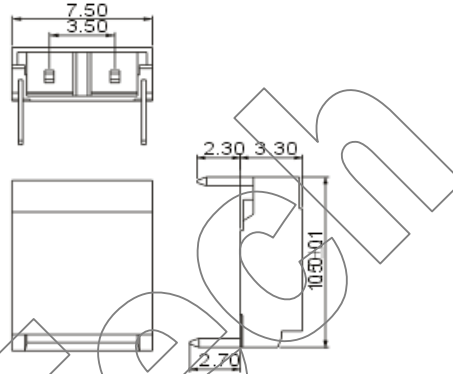
Material:  
 Base: Nylon66/ Nylon6T, UL94V-0  
 Contact Pin: Phosphor Bronze  
 Housing: Nylon66, UL94V-0  
 Terminal: Phosphor Bronze

**ROHS Compliance**

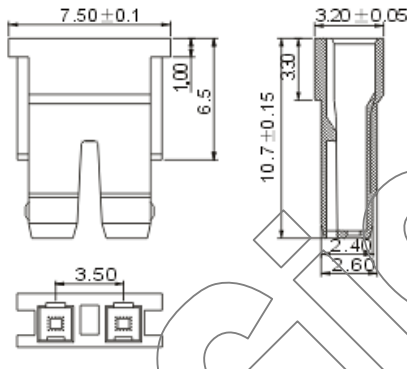
**KHD-T**



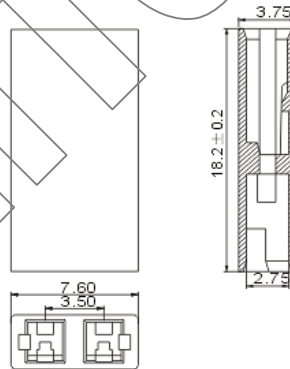
**KHD-2AW**



**KHD-2Y**



**KHD-2P**



**KHD-2AWB**

